

4

3

2

1

THIS DRAWING IS UNPUBLISHED.

RELEASED FOR PUBLICATION

© COPYRIGHT 20

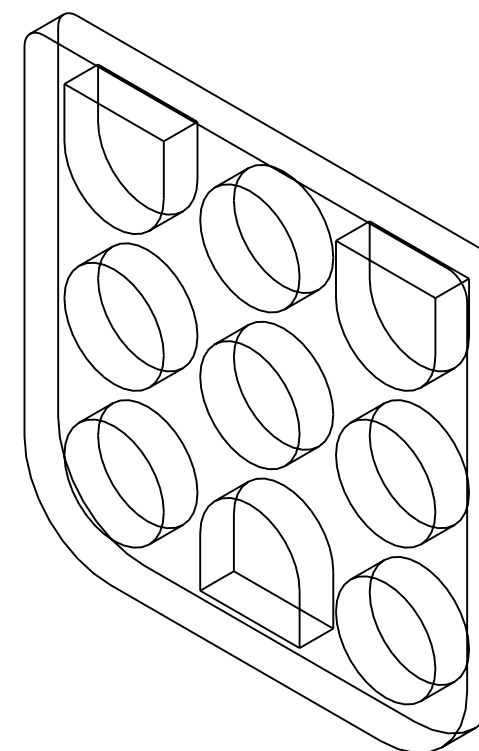
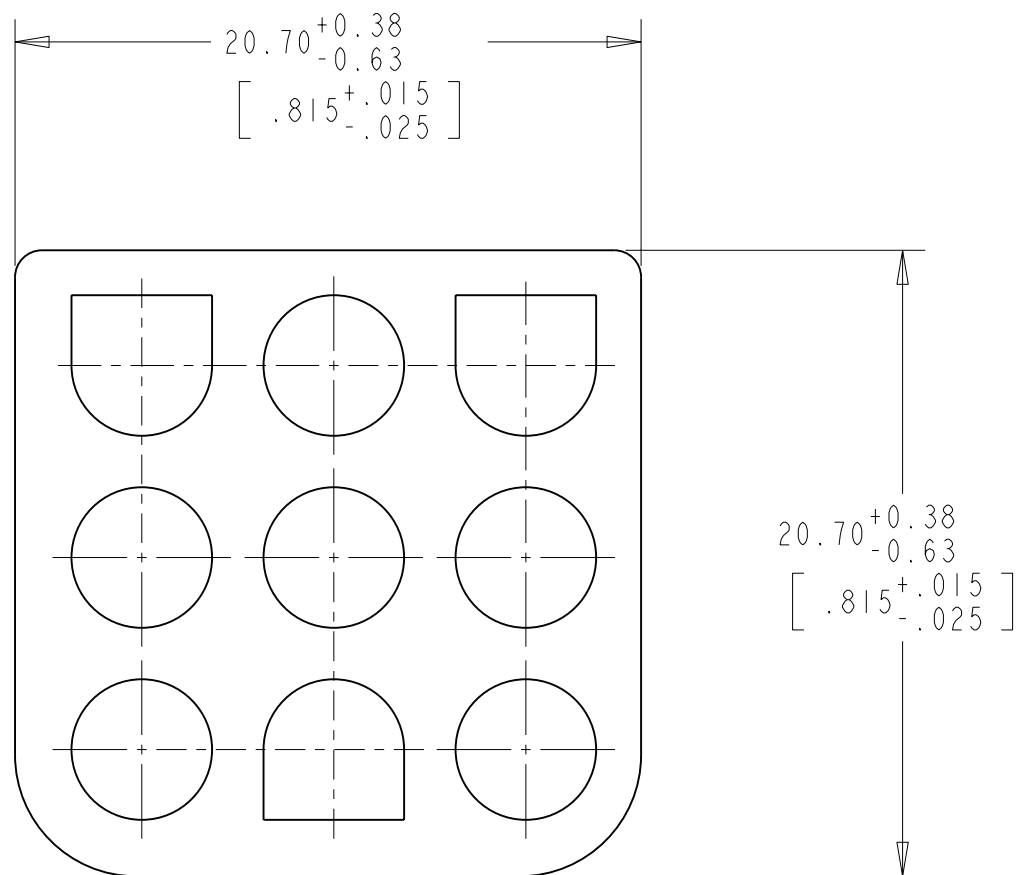
BY TYCO ELECTRONICS CORPORATION. ALL RIGHTS RESERVED.

LOC CM DIST 45

REVISIONS

P	LTR	DESCRIPTION	DATE	DWN	APVD
	E	REVISED PER ECO-05-001965	04MAY05	KW	SR

- 1 MATERIAL: CLOSED CELL SILICON FOAM, BLACK
- 2. SUPPLIED ON MYLAR FILM.

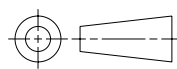


794994-1

PART NUMBER

THIS DRAWING IS A CONTROLLED DOCUMENT FOR TYCO ELECTRONICS CORPORATION. IT IS SUBJECT TO CHANGE AND THE CONTROLLING ENGINEERING ORGANIZATION SHOULD BE CONTACTED FOR THE LATEST REVISION.

DIMENSIONS: mm [INCHES] TOLERANCES UNLESS OTHERWISE SPECIFIED:



- 0 PLC ±-
- 1 PLC ±-
- 2 PLC ±0.51 [.020]
- 3 PLC ±-
- 4 PLC ±-
- ANGLES ±-
- FINISH -

MATERIAL



DWN 07-DEC-2001
K. WHITAKER
CHK 07-DEC-2001
S. RIDGILL
APVD 07-DEC-2001
S. RIDGILL
PRODUCT SPEC -
APPLICATION SPEC -
WEIGHT -
CUSTOMER DRAWING

tyco Tyco Electronics
Electronics Harrisburg, PA 17105-3608

NAME INTERFACE SEAL,
9 CIRCUIT,
UNIVERSAL MATE-N-LOK™

SIZE A3	CAGE CODE 00779	DRAWING NO C-794994	RESTRICTED TO -
---------	-----------------	---------------------	-----------------

SCALE 4:1 SHEET 1 OF 1 REV E

METRIC